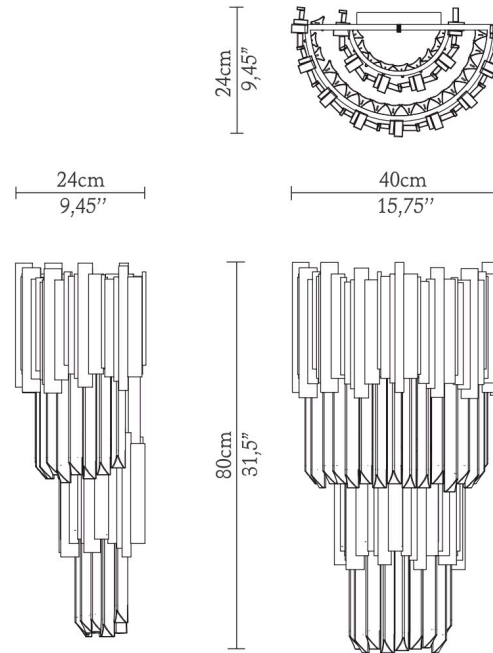


## Empire II Wall Light

LUX XU  
NEW YORK CITY



### DIMENSIONS

Height: 80cm | 31,5"

Length: 40cm | 15,75"

Depth: 24cm | 9,45"

### MATERIALS

Body: Brass & Crystal Glass

### STANDARD FINISHES

Body: Gold plated

### WEIGHT

Aprox: 14kg | 31lbs

### BULBS

5x g9 Halogen Bulbs (40W max)\*USA not included

Voltage: 220-240V

### PACKAGING

Volume: 0,14m<sup>3</sup> | 5ft<sup>3</sup>

Weight: