



BE INSPIRED TO DESIGN YOUR WORLD

Tradition in Alabaster since 1969



United Alabaster, located in Sarral (1969), is one of the oldest companies in Spain in the alabaster sector. It is still a family business dedicated to meeting the needs of its clients.

United Alabaster, one of the oldest companies in Spain in the alabaster sector, manufactures exclusive products to meet the needs of design and satisfy the needs of lovers of design and architectural lighting.

The company is a seal of quality and a benchmark in architecture, lighting and design. It brings "illuminable" stone to the best international projects. In addition, it owns more than 100 mining sites from which it can extract different varieties of alabaster, thus offering an even more special product with designation of origin.

Our history.
Our values



Thanks to its extensive staff, they can offer all their skills and knowledge to make exclusive design products. Our mission is to fuse this natural stone with contemporary elements while respecting the environment and innovating in their applications. The service offered and the confidentiality of the lighting projects and architecture along with the experience gained during all these years are the key to success.

Among our products, you can find wall lights, lamps, panels, and table lamps. All of them made of first quality alabaster extracted from our quarries in La Puebla de Híjar (Teruel). Nowadays, this material surprises everybody in many interior spaces from around the world such as entrance halls, hotel rooms, restaurants, cruisers, churches or private residences, bringing warmth and harmony.

The stone Gelsa, Ribera Baja del Ebro

First quality alabaster extracted from the quarries in La Puebla de Híjar, Teruel and Gelsa, Zaragoza. Born from an original vein in the quarry and moulded in their workshop.

Our production begins in our alabaster quarries in Gelsa (Zaragoza) we will place our alabaster mineral reserves at your disposal, unique in the world.

Our professional specialists in quarries locate and extract the mineral using the latest technologies established in our companies and coordinated by our office of Mining Engineers who coordinate and supervise the exploitation.

Exhaustive quality controls and the historic origin guarantee the material through its geographical location. The material extracted in large balls is sent to the sawmill where we clean and cut the material to prepare it in different formats for processing in the alabaster factories.



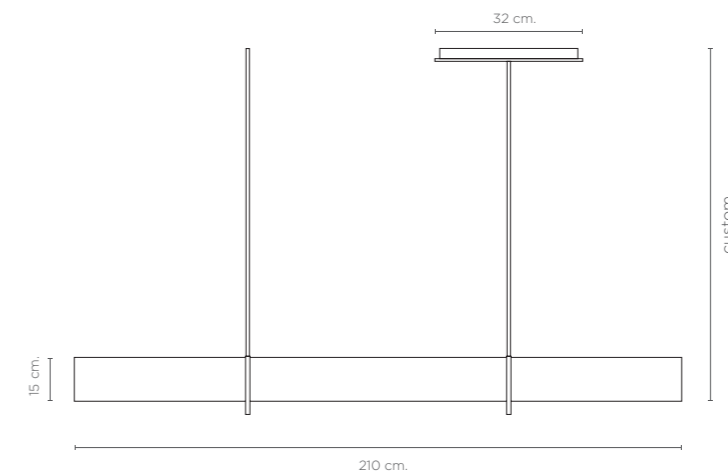


20-8781

BLASCO UNITED ALABASTER

Superloft is a piece whose design was born from the union between United Alabaster & ByBlasco. Design directed by the latter, it arises from the need to create a unique experience in a workspace. An ideal combination of technical and decorative lighting.

Superloft es una pieza cuyo diseño nace de la unión entre United Alabaster & ByBlasco. Diseño dirigido por esta última, surge de la necesidad de crear una experiencia única en un espacio de trabajo. Una combinación ideal de iluminación técnica y decorativa.



Technical Specs

Lineal LED 45w
Dimmable driver 1-10v
Color temperature:
2700K or 3000K

Ceiling base

- Satin Gold
- Matt Black
- Dark Brass
- Nickel
- Matt White

Structure

- Satin Gold
- Matt Black
- Dark Brass
- Nickel

Alabaster

- White Gelsa



SUPER LOFT / CEILING LAMP



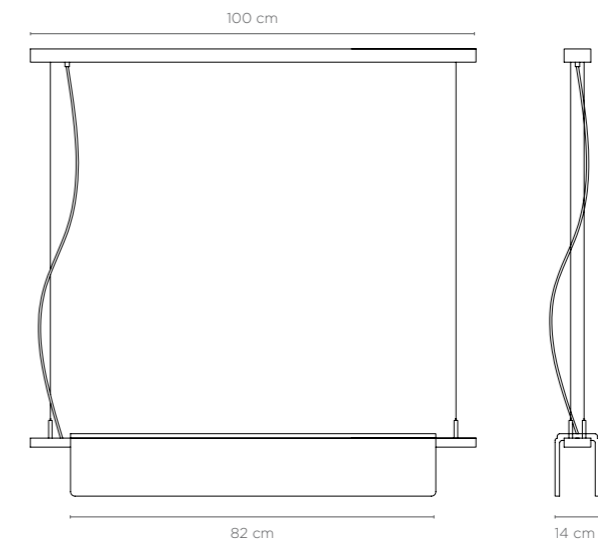
LOFT

LOFT / CEILING LAMP



The Loft alabaster lamp is designed to dress any type table, from the one in the office to counteract the blue light of your screen or to dress a meeting table majestically with its veins. Classic but functional design. Designed by Joan Casanyes.

La lámpara Loft de alabastro está diseñada para vestir cualquier tipo de mesa, desde la de la oficina para contrarrestar la luz azul de su pantalla o para vestir majestuosamente con sus vetas una mesa de reuniones. Diseño clásico pero funcional. Diseñado por Joan Casanyes.



Technical Specs

Lighting LED lineal 20w 3000K
Driver 30w, 230-24v
Adjustable height

Ceiling base

- Matt Black
- White
- Satin Nickel

Structure

- Satin Nickel

Alabaster

- White Gelsa

