



REMAINS LIGHTING COMPANY

MERCER 26 EXTERIOR WALL LANTERN

REMAINS LIGHTING CO. COLLECTION

A tapered four-sided solid brass and glass wall mounted lantern with arch-detailed panels and clean expressed joinery. Inspired by stable windows seen in the Pennsylvania countryside.

DIMENSIONS

Overall: 41-1/2" h. x 18-1/4" w. x 29" d.

Backplate: 19" h. x 4" w.

Body: 27-7/8" h. x 18-1/4" w. x 18-1/4" d.

APPLICATION

UL listed for use in dry, damp, or wet environments.

LAMPING

4 Candelabra sockets, maximum 60 watts per socket

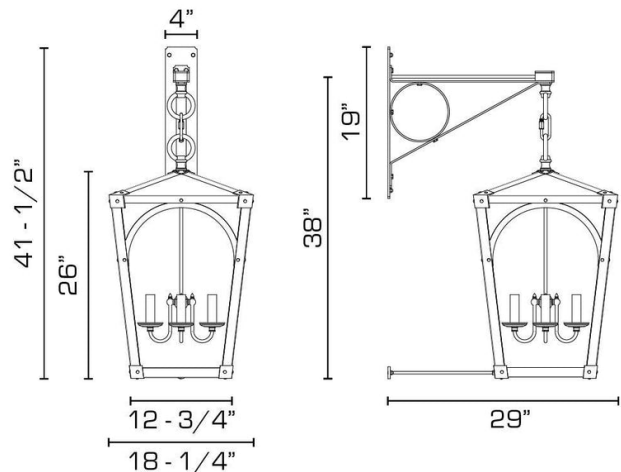
Also available with 4 Edison sockets

B10 Candelabra torpedo bulb recommended

OPTIONS

Optional bottom door also available.

Contact us to learn more about customization options.



AVAILABLE FINISHES

\$13410 Polished Brass

\$14310 Burnished Brass, Burnished Nickel, Dark Waxed Bronze, Polished Nickel

\$14890 Antique Brass, Dark Pewter, Light Pewter, Oil Rubbed Bronze, Satin Nickel, Verdigris